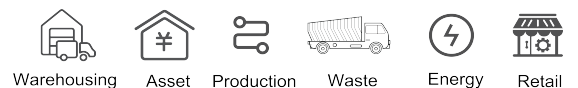




JT-6210

UHF RFID Desktop Reader



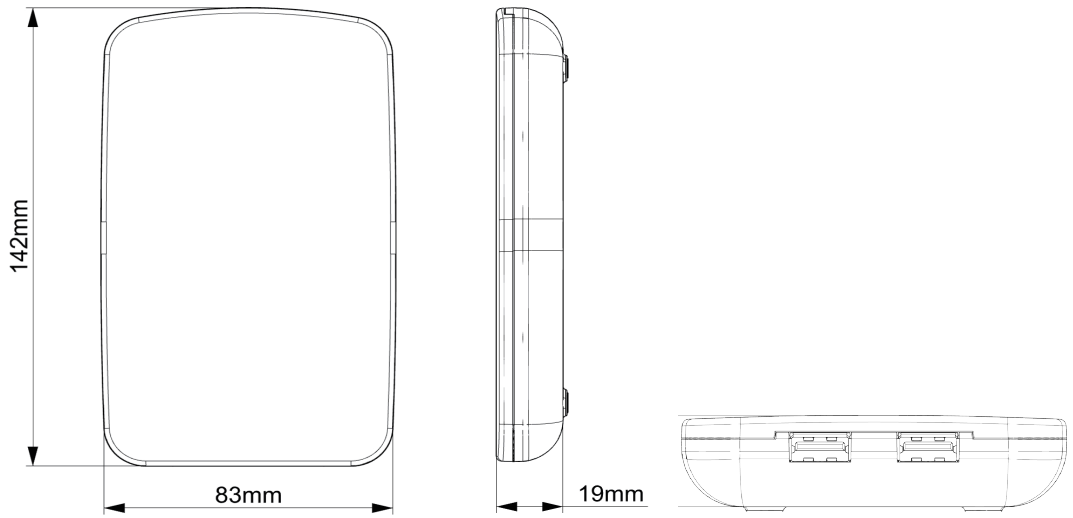
JT-6210 is a dual-USB desktop card issuer that meets the 860-960MHz frequency band radio frequency identification (RFID) technology application regulations and the relevant regulations of the US FCC; built-in antenna, compact structure; dual-USB communication design, which can facilitate customers to realize various virtual formats Keyboard output; small size, light weight, easy to place on the desktop; stable and reliable reading and writing data; full support conforms to the ISO-18000-6C (EPC C1 G2) protocol.



SPECIFICATIONS

RFID PARAMETERS	
Frequency	860-960 MHz
Protocol	ISO18000-6C/EPC C1 Gen2
Antenna	3dBi circularly polarized antenna (built-in)
Output power	0~20dBm
Interfaces	1,Plug&Play Keyboard Emulation [KB] Port 2,USB to serial port [Com] Port
Peak current	60mA(DC 12V)
Notification	LED indicator, buzzer
Work mode	Master-slave, timing, trigger mode
Read mode	Read once, continuous reading; KB port output
Batch rewrite tags	Support
Tag lock and unlock	Support
Tag destroy	Support
Tag authorization	Support
Read range	0~80cm(with 9662 tag)
Write range	0~15cm(with 9662 tag)
SDK	Demo & C#,C++,JAVA,Android SDK
USE ENVIRONMENT	
Operating Temp.	-20° C ~+75° C
Storage Temp.	-40° C ~+85° C
Humidity	5-90% non-condensing (+25° C)
PHYSICAL PARAMETERS	
Shell material	ABS
Dimensions	142(L)*85(W)*20(H)mm
Net weight	132g
Pack size	21*16*4cm
Gross weight	0.24kg

DIMENSIONS



Shenzhen Jietong Technology Co.,Ltd

Address : 12/F,Building A, No. 6,Shiben Road,Shiyan Street,Bao'an District,Shenzhen,Guangdong,China-518108

Email : marketing@jtspeedwork.com

Website : www.jtspeedwork.com