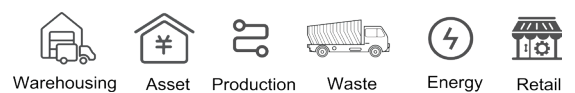




JT-2540

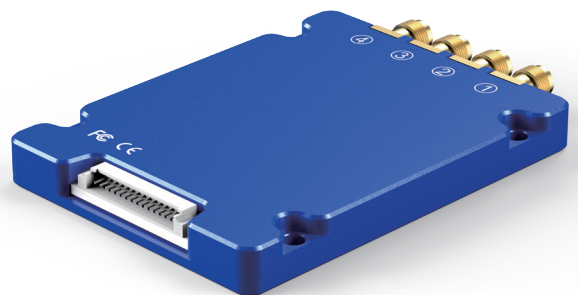
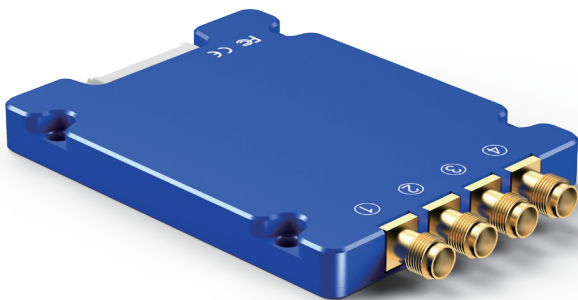


UHF RFID 4-port Module

JT-2540 is a professional-grade, multi-channel, high-performance UHF radio developed based on the TM series platform. RFID tag fixed read-write module. With completely independent intellectual property rights, the reader works by default, The frequency band is 860-960MHz,supports ISO18000-6C (EPC C1 GEN2) protocol, It has the characteristics of strong recognition ability of multiple tags, long distance of card reading, high protection performance and convenient installation and configuration.

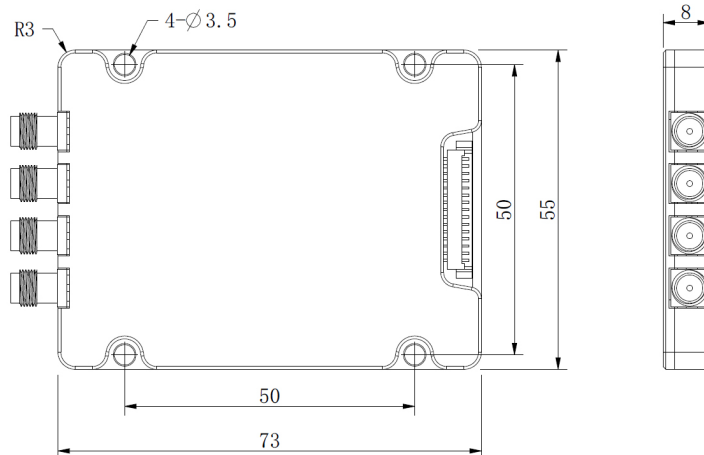
SPECIFICATIONS

RFID PARAMETERS	
Frequency	860-960 MHz
Protocol	ISO 18000-6C/EPC C1 G2
RF power	13~33dBm(adjustable)
Read rate	>700 times/second
RSSI	Support
Antenna interface	4 SMA female connectors
RS232 baud rate	115200 bps (default)
RJ45 baud rate	230400 bps (default)
Power supply	3.7 V~5.0 VDC
Consumption	10W(@Maximum output power 33dBm)
USE ENVIRONMENT	
Operating Temp.	-20° C ~75° C
Storage Temp.	-30° C ~80° C
Humidity	5-90% non-condensing (+25° C)
PHYSICAL PARAMETERS	
Shell material	Aluminum alloy
Dimensions	73(L)*55(W)*8(H)mm
Net weight	63g



I/O DEFINITION

NO.	NAME	DEFINITION
PIN1,2	GND	Power ground (signal ground)
PIN3,4	VDD_IN	5.0 VDC
PIN 05	SPI_MISO	MODULE_SPI_MISO
PIN 06	SPI_MOS	MODULE_SPI_MOSI
PIN 07	SPI_CL	MODULE_SPI_CLK
PIN 08	SPI_CS	MODULE_SPI_CS
PIN 09	RXD	MODULE_RXD
PIN 10	TXD	MODULE_TXD
PIN 11	GPIO1	MODULE_GPIO1
PIN 12	GPIO2	MODULE_GPIO2
PIN 13	GPIO3	MODULE_GPIO3
PIN 14	EN	MODULE_EN
PIN 15	RST	MODULE_RST



Shenzhen Jietong Technology Co.,Ltd

Address : 12/F,Building A, No. 6,Shiben Road,Shiyan Street,Bao'an District,Shenzhen,Guangdong,China-518108

Email : marketing@jtspeedwork.com

Website : www.jtspeedwork.com